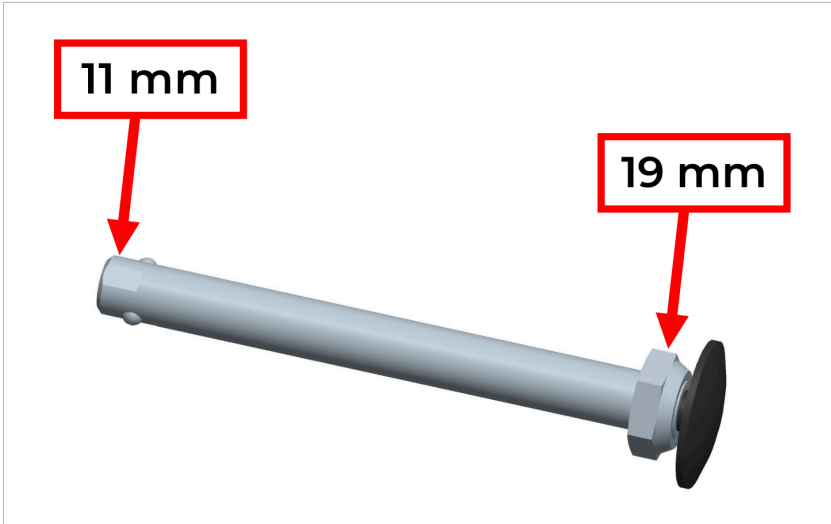




Adjustment of quick release axle length

Important to make sure it is correctly adjusted!



1. The quick-release axle has two flat surfaces at its inner end.
2. Apply the 11 mm spanner to the inner axle end to prevent the axle from turning.
3. By using the 19 mm spanner you can adjust the big nut at the outer end of the axle.
4. To increase the axle length: Unscrew the nut - anti-clockwise.
5. To decrease the axle length: Screw the clockwise.
6. Adjust the nut a ½ turn at a time, and then check the assembly.
7. Confirm that the axle locks in place properly (black push-button ejected), and that there is no sideways play between the wheel and the frame.

If you have any questions, please call our customer support: +46-8-522 100 50